

# DrizAir LGR 2000 Dehumidifier

(Models: F232,F232-230V,F232-230VUK,F232-GRN,F232-SM,F232-SP,F232-HE,F232-BE)

## Symbol Definition

- \* - multiple components to choose from for different models: voltage, size, color, et
- + - if you order this item, you may need to order additional items marked with same number of +'s in order to upgrade or complete repair

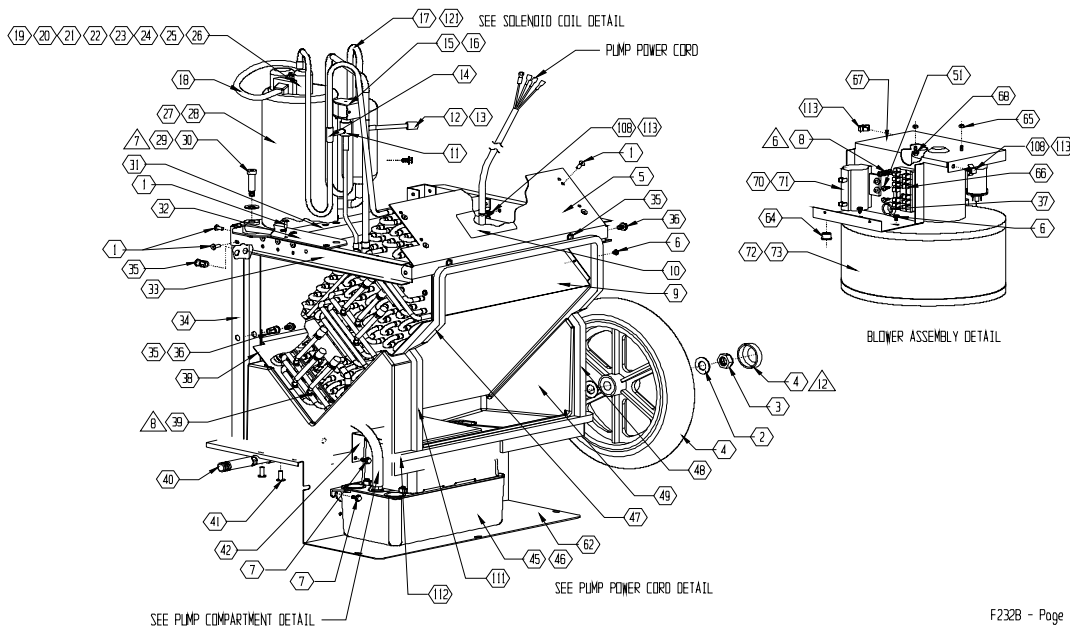
Find#	Part Description	Specifications/Model	Part #	Qty
	Wire	Red 14Ga AWM 105c/600v	02-00099	ft. 1.75'
	Wire	White 14Ga AWM 105c/600v	02-00101	ft. 1.5'
	Wire	Black 14Ga AWM 105c/600v	02-00102	ft. 3.125'
	Wire	Green 14Ga AWM 105c/600v	02-00103	ft. 2.208'
	Connector	Qc .250 Fem Fully Insul 16/14 Ga	02-00135	ea. 18
66	Terminal Block	Gp 6 x 6 x 8 x 4 Qc	02-00157	ea. 1
98	Strain Relief *	.360 Dia Blk (Use 02-00499 pre-10/20/99)	02-00218	ea. 1
70	Capacitor **	115v, 40 MFD 370v 1.75 Dia round w/mtg brk	02-00249	ea. 1
71	Capacitor **	230v, 25 MFD 370v 1.75 Dia round w/mtg brk	02-00250	ea. 1
	Strain Relief *	Snap Dia Blk (Use 02-00218 post-10/20/99)	02-00499	ea. 1
	Connector	Ring #10 Insul 16/14 Ga	02-00516	ea. 3
	Flag Term Compr	14-16 .250 (Amp) 4000	02-00769	ea. 3
	Connector	Qc .250 Fem Fully Insul 22/18 Ga	02-01117	ea. 2
	Plug	Converter Euro to UK	02-01501	ea. 1
82	Washer	1/4" Rivet .26ID x .50OD x .06 Zp	03-00001	ea. 8
65	Nut	Nyloc 8-32 Zp	03-00015	ea. 2
41	Rivet	1/4" Steel Zp ssp 8-8	03-00022	ea. 6
51	Screw	#8 x 1/2" Pan Hd Phil Sms Zp	03-00023	ea. 14
103	Washer	Rivet 1/8" ID x 3/8" OD x .06 Zp	03-00035	ea. 3
8	Nut	w/star washer 10-24 Zp	03-00038	ea. 10
64	Bushing	Split Blk	03-00050	ea. 3
95	Washer	5/16" Zp	03-00062	ea. 2
36	Screw	1/4-20 x 1/2" Hwh Ser Zp	03-00092	ea. 6
77	Screw	#8 x 3/4" Ab Phil Hd Zp	03-00095	ea. 2
63	Screw	1/4-20 x 3/8 Hwh w/ Nyloc	03-00105	ea. 7
	Insert	1/4-20 x .50 x .50 Hh Al, molded in cover	03-00106	ea. 5
	Insert	1/4-20 x .50 x .50 Hh Al, molded in rear panel	03-00106	ea. 7
3	Nut	5/8-11 Nyloc Thin Zp	03-00113	ea. 2
2	Washer	5/8 AN .63 ID x 1.187 OD x	03-00114	ea. 4
	Nut	3/8 Npt Insert Brass, on driptray assy 08-00287	03-00115	ea. 1
60	Screw	1/4-20 x 1.75 Ser Hwh Zp	03-00118	ea. 6
44	Gasket	1/2 x 1/2 Polyurethane Psa (4")	03-00121	ft. .33'

Find#	Part Description	Specifications/Model	Part #		Qty
111	Gasket	1/2 x 1/2 Polyurethane Psa (7.2")	03-00121	ft.	.60'
48	Gasket	1/2 x 1/2 Polyurethane Psa (7.2")	03-00121	ft.	.60'
110	Gasket	1/2 x 1/2 Polyurethane Psa (9")	03-00121	ft.	.75'
109	Gasket	1/2 x 1/2 Polyurethane Psa (9")	03-00121	ft.	.75'
47	Gasket	1/2 x 1/2 Polyurethane Psa (47")	03-00121	ft.	3.92'
112	Gasket	1/2 x 1/2 Polyurethane Psa (64")	03-00121	ft.	5.3'
114	Gasket	1/2 x 1/2 Polyurethane Psa (87")	03-00121	ft.	7.25'
37	Bushing	.671 ID x .875 x .41 Nylon Black	03-00126	ea.	1
122	Screw	1/4-20 x 1.0 Hwh Zp	03-00129	ea.	4
35	Nut	1/4-20 Hexsert Zp Stl	03-00162	ea.	8
2	Screw	5/16" - 18 x 2.5 Hh Zp	03-00169	ea.	2
	Nut	5/16"-18 x .50 Insert Hex Binder Al (rear panel)	03-00170	ea.	2
102	Rivet	1/8 x 5/16 Al/Al	03-00206	ea.	3
	Rivet	3/16 X 1/4 AL/AL (Use with 08-00322-01)	03-00210	ea.	8
1	Rivet	Stl/Stl SB6-4 Z1 x Black	03-00432	ea.	23
88	Clamp	3/8" Hose Green	03-00471	ea.	1
29	Washer	3/8 Uss .438 ID x 1.00OD x .083 Zp	03-00506	ea.	3
113	Push Mount		03-00771	ea.	3
87	Cable Tie	11"	03-00813	ea.	2
76	Rivet	1/8 x 1/8 Al/Al AAP 42	03-00901	ea.	2
6	Screw	Hwh Class 2 Tf 8-32 x 1/4	03-00962A	ea.	8
68	Washer	Rivet 5/32"	03-01333	ea.	3
30	Bolt	Shoulder 5/16-18 x 3/8 x 1.25	03-01336	ea.	3
69	Rivet	5/32 x 1/2 Al/Al Zp Blk Anod	03-01367	ea.	2
7	Screw	10-24 x 1/2" Slot Hwh Zp	03-01429	ea.	6
	Clamp	Hose clamp 1/2 ID (for 13-00083)	03-01481	ea.	1
	Screw	1/4-20 X 3/8 HH SS (New bottom screws)	03-01506		3
104	Plate	Strain Relief w/ Pc Winkle Blk	04-00052-01	ea.	1
	Bag	50 x 43 Poly 4 mil	06-00030	ea.	1
	Foam Wrap	6" x 6" Perf White Psa .125 Thick	06-00035	ea.	4
	Foam	18.0 x 18.0 x 1.0 Eps 1lb DZ1200	06-00084	ea.	2
	Foam	2.13 x 2.13 x 28.0 Eps 1lb DZ1200	06-00085	ea.	3
	Box	25 1/4 x 23 5/8 x 40 5/8 350 Dwk Rsc	06-00104	ea.	1
	Capsule	1 x 1-1/2 Recloseable Caps-Gel (for paste)	06-00105	ea.	1
	Pallet Assy		06-00109	ea.	1
	Bag	4 x 6 Poly Zip-Lock 2 mil	06-00593	ea.	.0167
85	Label	230v, Model Serial CE Dehus (w/SN)	07-00162	ea.	1
84	Label	115v, Model Serial UL/CUL Dehus (w/SN)	07-00165	ea.	1
	Manual	230v, Owners	07-00212	ea.	1
105	Label	Warning Turbos (Indoor)	07-00259	ea.	1
	Insert	Declaration of Conformity, 230v	07-00289	ea.	1
107	Label	Patent License	07-00351	ea.	1
53	Label	Product, DriAir LGR 2000	07-00368	ea.	1
54	Label	Product, DriAir LGR 2000 SM (F232-SM)	07-00373	ea.	1
55	Label	Product, DriAir LGR 2000 SP (F232-SP)	07-00374	ea.	1

Find#	Part Description	Specifications/Model	Part #	Qty
10	Label	Caution y/b Dehumid	07-01432	ea. 1
	Manual	115v, Owners	07-01486	ea. 1
	Refrigerant	R-134a, 230v units (\$25 Flat Fee)	08-00139	oz. 27.6
90	Valve	5/16, Line Service	08-00144	ea. 6
91	Duct Ring	6" Dia Abs Blk	08-00157	ea. 1
40	Axle Assy	5/8 OD x 24.61 Stl Zp	08-00168-01	ea. 1
72	Blower Assy ***	115v, Centrifugal 1550 RPM 1 spd	08-00182	ea. 1
14	Fitting	Tee, 5/16 x 5/16 x 5/16 Copper	08-00188	ea. 1
18	Compressor Cord Assy	14/4 SJ00W	08-00190	ea. 1
73	Blower Assy ***	230v, Centrifugal 1350 RPM 1spd	08-00199	ea. 1
99	Power Cord Assy	230v EU, 3 x 1.5mm H05vv CEE7/7 25'	08-00200	ea. 1
100	Power Cord Assy	230v UK, 3 x 1.5mm H05vv BS1363 25'	08-00201	ea. 1
97	Power Cord Assy	115v, 14/3 SJTW 5-15P 25'	08-00203	ea. 1
83	Hose Wrap (Bottom)	.250 PreGalv Wire PC Wr Blk	08-00214-01	ea. 1
75	Panel	Upper Electrical Box Gal Steel	08-00220	ea. 1
39	Coil Assy	Evaporator/Condenser DZ2000	08-00229	ea. 1
15	Solenoid Assy ****	115v	08-00231	ea. 1
16	Solenoid Assy ****	230v (F232-230V, F232-230V UK)	08-00232	ea. 1
21	Nut	Terminal Cover Hh	08-00240	ea. 1
22	Washer	Gasket 7/32 ID x 9/16 OD Rubber	08-00241	ea. 1
23	Spring	1-1/16 OD x 1/2 H	08-00242	ea. 1
24	Gasket	Terminal Cvr 2-5/16 x 3-9/16 x .036 Rubber	08-00243	ea. 1
25	Cover	Terminal 3-1/4 x 2 x 1-5/8 Plastic	08-00245	ea. 1
26	Grommet	.375 ID x 1.125 OD Rubber Black	08-00248	ea. 3
106	Control Panel Assy	Programmable 115/230v (Use w/ 08-00260)	08-00259	ea. 1
59	Sensor Cable Assy	Temp Defrost Dehus (Use w/ 08-00259)	08-00260	ea. 1
	Refrigerant	R-417a, 230v units (\$25 Flat Fee)	08-00265	oz. 18
38	Support	Coil Galv Stl DZ2000	08-00267	ea. 1
34	Frame	Vertical Galv Stl DZ2000	08-00268	ea. 2
33	Support	Horizontal Galv Stl DZ2000	08-00269	ea. 2
5	Shroud	Coil Galv Stl DZ2000	08-00270	ea. 1
32	Plate	Compressor Mount Galv Stl DZ2000	08-00271	ea. 1
31	Support	Compressor Galv Stl DZ2000	08-00272	ea. 1
93	Hose Wrap (Top)	.250 Pregalv Wire PC Wr Blk DZ2000	08-00274-01	ea. 1
42	Cover	Pump Gal Stl DZ2000	08-00275	ea. 1
50	Filter Shroud	PC Wr Blk DZ2000	08-00276-01	ea. 1
27	Compressor *****	115v, Rotary 10120 BTU DZ2000	08-00281	ea. 1
19	Overload	Compressor, 115v	08-00282	ea. 1
28	Compressor *****	230v, Rotary 10555 BTU DZ2000	08-00283	ea. 1
20	Overload	Compressor, 230v (F232-230v, F232-230v UK)	08-00284	ea. 1
56	Cover	Poly Fisher Blue	08-00285S	ea. 1
57	Cover	Poly Teal Green (F232-SM)	08-00285-01S	ea. 1
58	Cover	Poly Turf Green (F232-SP)	08-00285-02S	ea. 1
	Cover	Poly Burgandy Red	08-00285-03S	ea. 1
	Cover	Poly Rein Orange (F232-HE)	08-00285-04S	ea. 1
	Cover	Poly Pearl Red (F232-PR)	08-00285-05S	ea. 1
	Cover	Poly Bright Red (F232-BE)	08-00285-06S	ea. 1
79	Rear Panel	Poly Flint Grey, molded	08-00286S	ea. 1
49	Drip Tray	Poly Flint Grey, molded	08-00287S	ea. 1
9	Baffle Plate	Evaporator DZ2000	08-00288	ea. 1
45	Pump ***** +	Deepwell Centrifugal 115v 80Gph 6ft Cord	08-00289	ea. 1

Find#	Part Description	Specifications/Model	Part #	Qty
46	Pump ***** +	Deepwell Centrifugal 230v 80Gph 6ft Cord	08-00290	ea. 1
17	Refrigerant Lines	115v/230v Set	08-00291S	set 1
74	Electrical Box	Galv Stl DZ2000	08-00293	ea. 1
67	Shield	Motor Galv Stl DZ2000	08-00294	ea. 1
61	Cover	Electrical Box Gal Stl	08-00295	ea. 1
	Wiring Harness	115v/230v DZ2000	08-00297S	ea. 1
	Microswitch +	115v/230v (for pump)	08-00298	ea. 1
	Screw	Microswitch, Centrifugal pump	08-00299	ea. 2
	Nut	Microswitch, Centrifugal pump	08-00300	ea. 2
	Washer, lock	Microswitch, Centrifugal pump	08-00301	ea. 4
86	Fitting	Quick Disco 1/4" Barb (40' Drain Hose)	08-00302	ea. 1
92	Fitting	Quick Disco 3/8" barb (3/8 Pump Hose)	08-00303	ea. 1
	Handle Assy ++	Fixed Pc Wr Blk (use S275 Kit)	08-00322-01	ea. 1
	Refrigerant	R-22, 115v units (\$25 Flat Fee)	08-00755	oz. 45.6
115	Insulation	Cork Tape 2" (16" length)	08-00784	ft. 16"
62	Base	Galv Stl DZ2000 Pump	08-01543	ea. 1
	Plate	Pump DZ2000	08-01544	ea. 1
4	Wheel	12 x 2 x 5/8 Bore Grey w/caps	13-00053	ea. 2
94	Wheel	3 x 1.188 x 5/16 Bore Blk (loader)	13-00054	ea. 2
43	Tubing	3/8 x 5/8 OD Braided Pvc (49" length)	13-00083	ft. 4.08
	Tool - DZ1200 Handle	Handle - Installation and Removal	13-00151	ea. 1
	Stick	Paste Applicator for external repairs	13-00158	ea. 1
89	Tubing	1/4" ID x 3/8" OD Vinyl (sold in rolls of 40')	15-00195	ft. 40'
80	Tubing	1/2" ID x 3/4" OD Clear Vinyl (3.5" length)	15-01463	ft. 0.291
	Tubing	1/4" Copper Soft AC/R	18-00757	ft. 0.625
	Tubing	3/8" Copper Soft AC/R	18-00758	ft. 3.65
11	Valve	By-Pass Hot Gass	18-00760	ea. 1
12	Fitting	Tee 3/8 x 3/8 x 1/4 Copper AC/	18-00764	ea. 1
	Tubing	5/16" Dia Soft Copper Tube AC/R	18-00765	ft. 3.275
13	Valve	Line Service 1/4"	18-00817	ea. 1
81	Fitting	3/8 MPT x 1/2 Hb Nylon	18-01391	ea. 1
	Thermal Paste	Thermal Mastic - 8 oz Tube	50-005	ea. 0.025
	Tool - Blower Wheel	Blower Wheel - #20 Torx Bit T-Handle	S247	ea. 1
	Control Panel	Programmable Control Panel Upgrade Kit	S253	ea. 1
	Handle Upgrade Kit	Kit - Fixed Handle DZ2000	S275	ea. 1

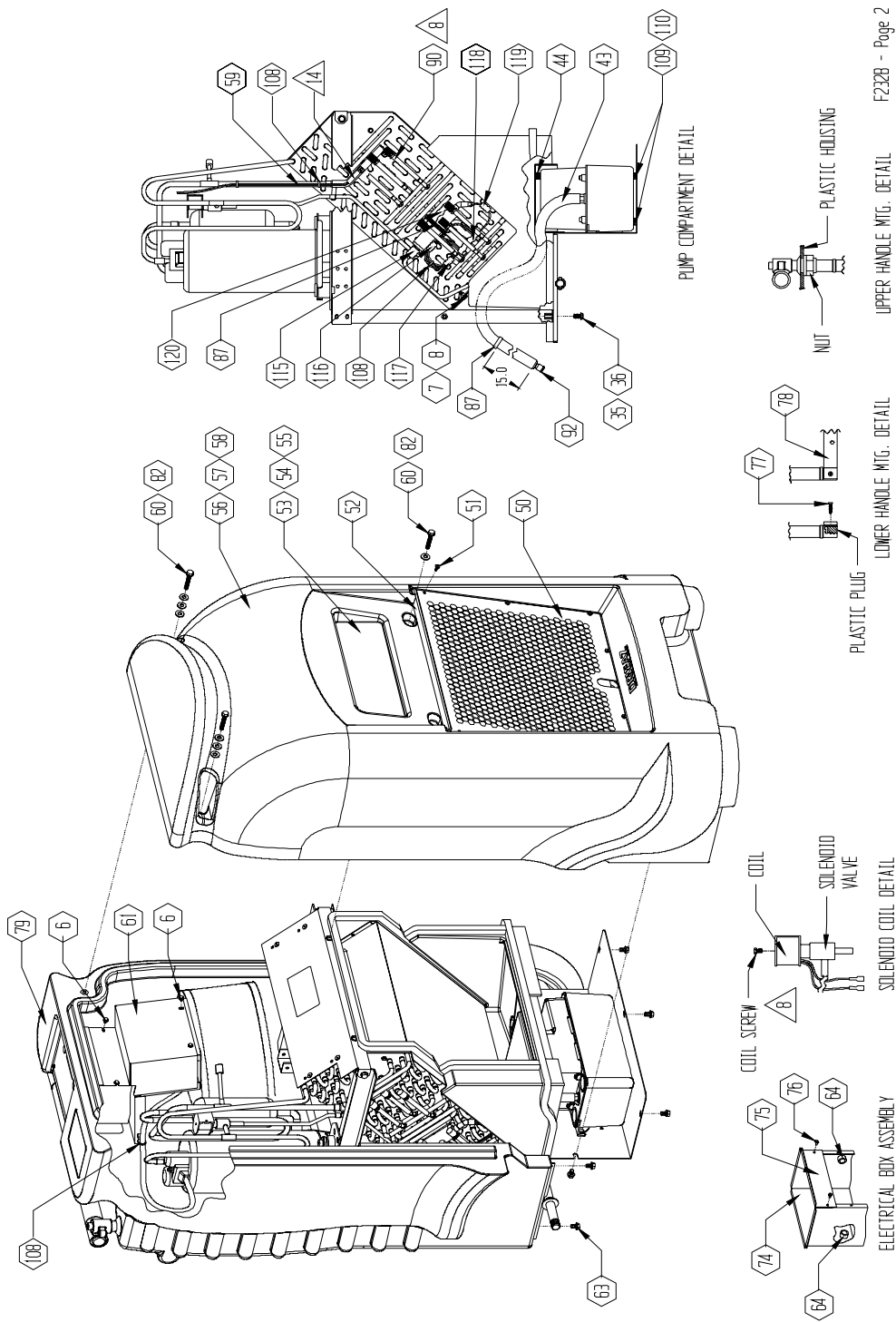
## DrizAir LGR 2000 Pictorial Drawing



F232B - Page 1



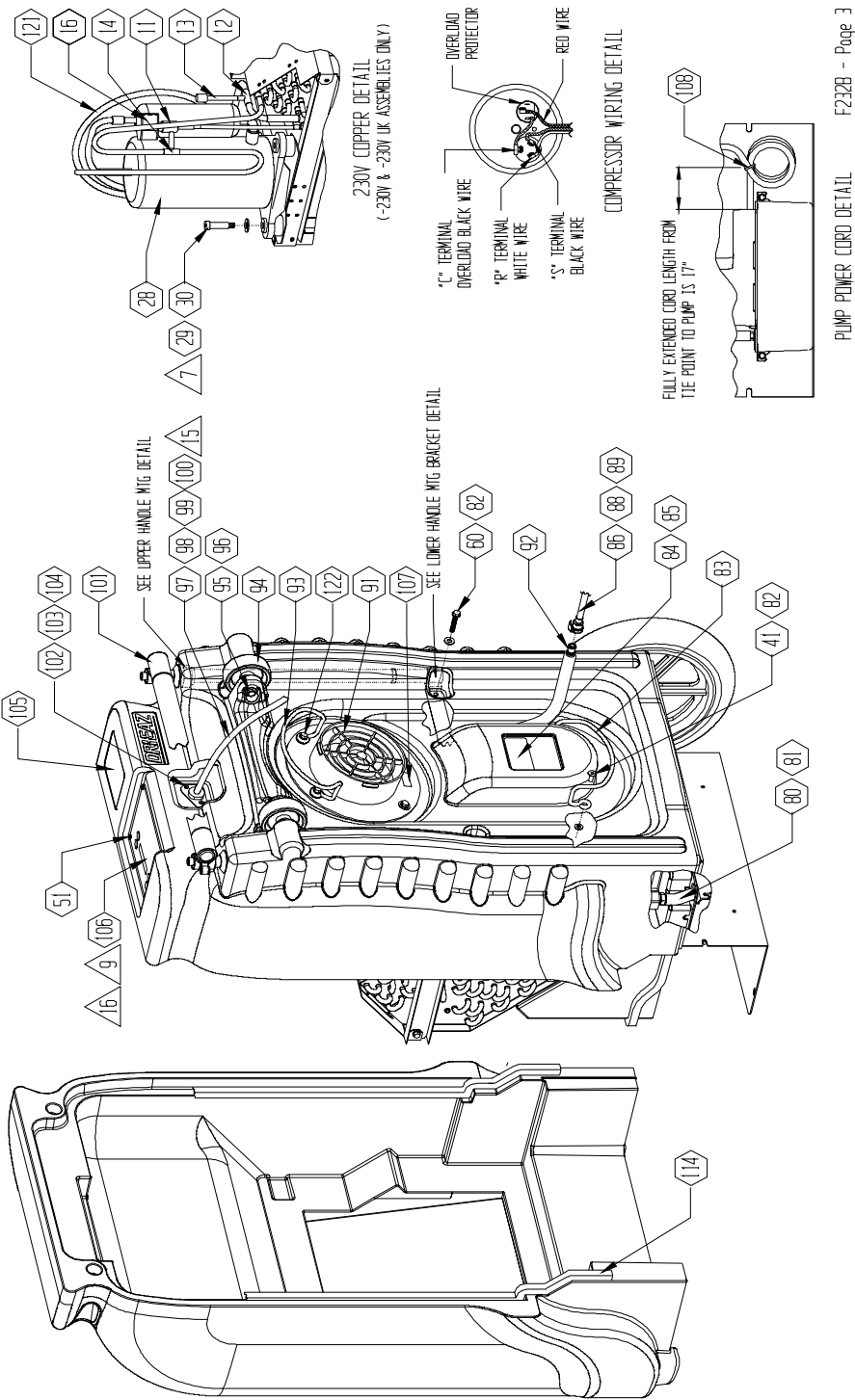
# DrizAir LGR 2000 Pictorial Drawing



F2328 - Page 2

# DrizAir LGR 2000 Pictorial Drawing

Dwg 3



F2328 - Page 3