

# Sahara E TurboDryer

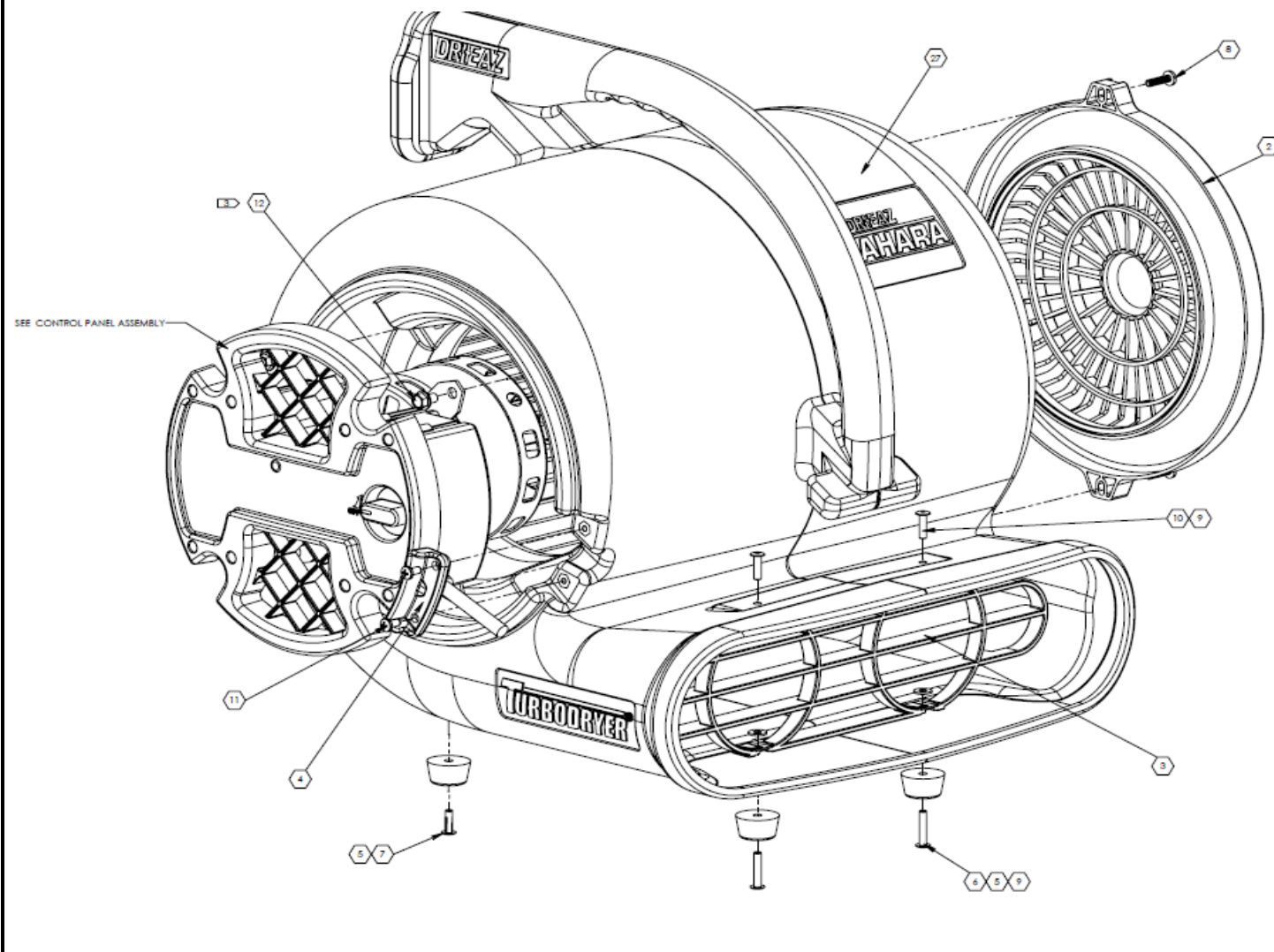
(Models: F350, F350-BE, F350-BUR, F350-GRN, F350-PR, F350-SM, F350-SP, F350-US, F350-YEL )

## Symbol Definition

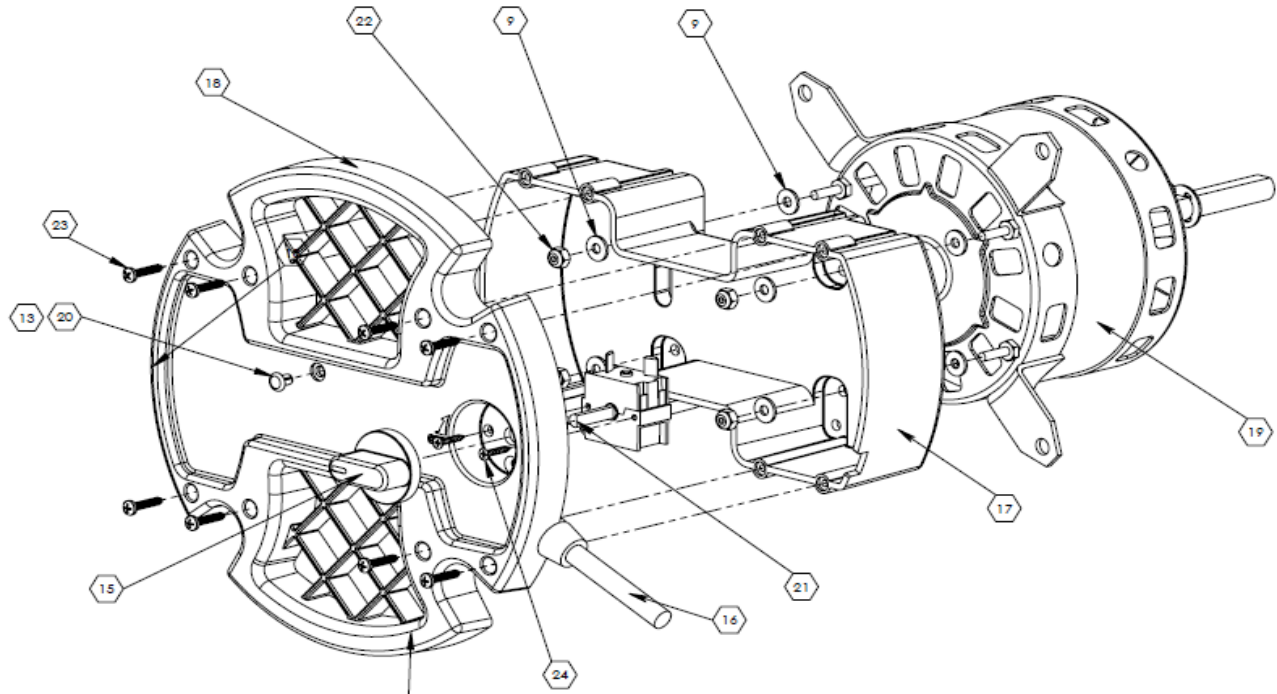
- \* - multiple components to choose from for different models: voltage, size, color, etc.
- + - if you order this item, you may need to order additional items marked with same number of +'s in order to upgrade or complete repair

Find #	Part Description	Part #	Measure	Qty
19	MOTOR ASSY- 115V 1/4 HP 1050 RPM 1SPD TCO SAHARA E	02-01494	Each	1
21	SWITCH - ROTORY 1 SPD SAHARA E	02-01495	Each	1
9	WASHER - 3/16 RIVET.19 ID X .47 OD X .05 ZP	03-00013	Each	13
22	NUT - 8-32 NYLOC THIN ZP	03-00015	Each	4
10	RIVET - 3/16 X 1/2 AL/AL BLK ANOD	03-00030	Each	2
6	RIVET- 3/16 BLK ANODIZE LONG AAP 6-12	03-00032	Each	2
12	SCREW- 1/4-20 X 3/8 HWY NYLOC ZP	03-00105	Each	4
5	FOOT - ROUND 3/16 ID X 1.25 OD X 5/8 RUBBER BLK	03-00131	Each	6
7	RIVET - 3/16 X 5/8 TRI FOLD AL/AL	03-00204	Each	4
23	SCREW - #6 X 7/8 PHP ZP	03-01003	Each	8
11	SCREW - #10-24 X 3/8 PHIL PH ZP	03-01359	Each	2
20	RIVET - SNAP .200 X .200 NYLON BLK	03-01473	Each	1
15	KNOB - 1.38 OB BAR 6.0 X 4.5MM D SHAFT RUBBER OVERMOLD BLK	03-01508	Each	1
8	SCREW - #10-24 x 3/4 PHP ZP BLK	03-01510	Each	2
24	SCREW - #4 X 5/8 CH PHIL ZP	03-01511	Each	2
29	BAG - 23 X 48 X 17 POLY 1.5 MIL	06-00045	Each	1
28	BOX - 18.3 X 17.0 X 18.8 323DW HH48 RSC PLAIN SAHARA	06-01473	Each	1
30	MANUAL - OWNERS 115V SAHARA E & HD W/07-00419 WARRANTY TEXT	07-01534	Each	1
1	BLOWER WHEEL ASSY - CENTRIFRUGAL 9.62 OD X 9.53 POLYPROP TUR S137	S137	Each	1
16	POWERCORD - 18/3 SJTW 15FT SAHARA E	09-01478	Each	1
25	HOUSING - POLETHYLENE FISHER BLU SAHARA	09-01481S	Ea.	1
3	GRILL - SNOOT ABS BLK SAHARA	09-01483	Each	1
17	ELECTRICAL BOX - 5V ABS SAHARA	09-01484	Each	1
18	COVER - CONTROL PANEL 5V ABS BLK SAHARA	09-01486	Each	1
4	SUPPORT - POWER CORD ABS BLK SUPPORT	09-01487	Each	1
2	VENTURI INLET GRILL ASSY - SAHARA	09-01492	Each	1

# SAHARA E PICTORIAL DRAWING

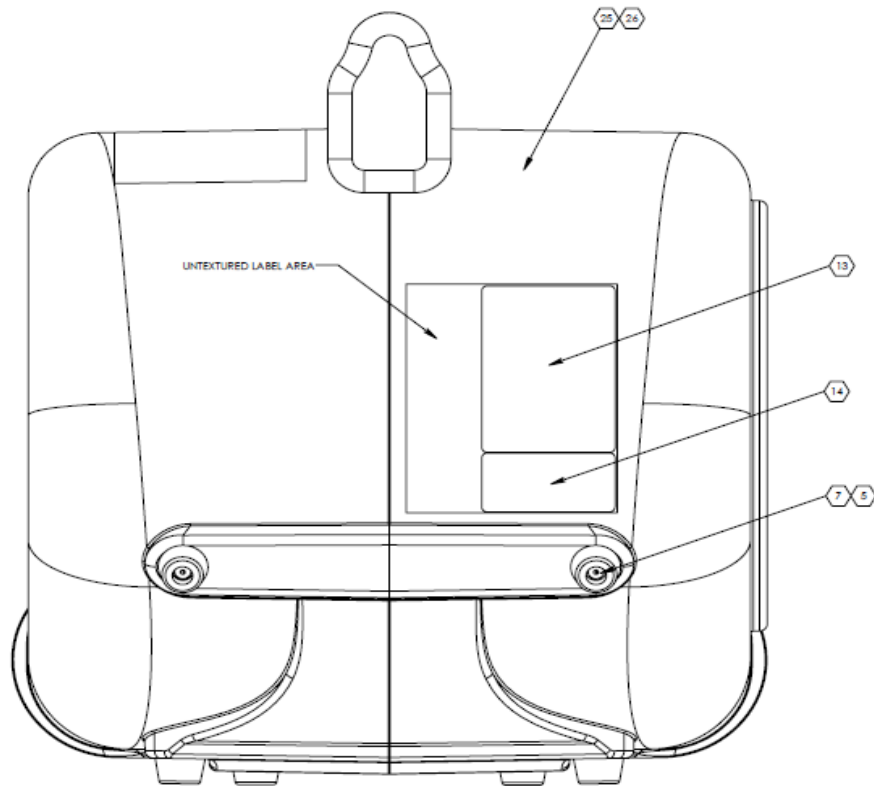


4 TORQUE SPEC FOR ELECTRICAL BOX MOUNTING NUTS: 14-16 INLBS



SEE CONTROL PANEL WIRING DETAIL

CONTROL PANEL ASSEMBLY



REAR VIEW